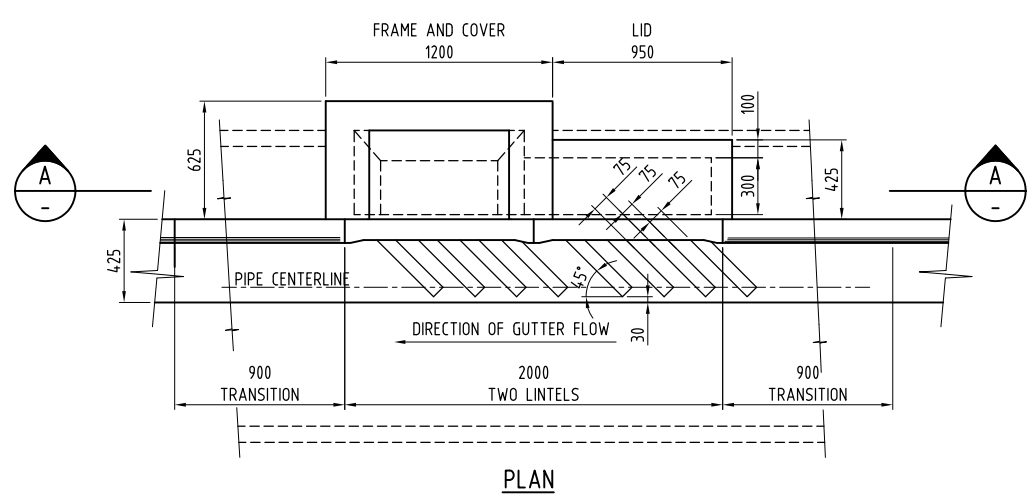
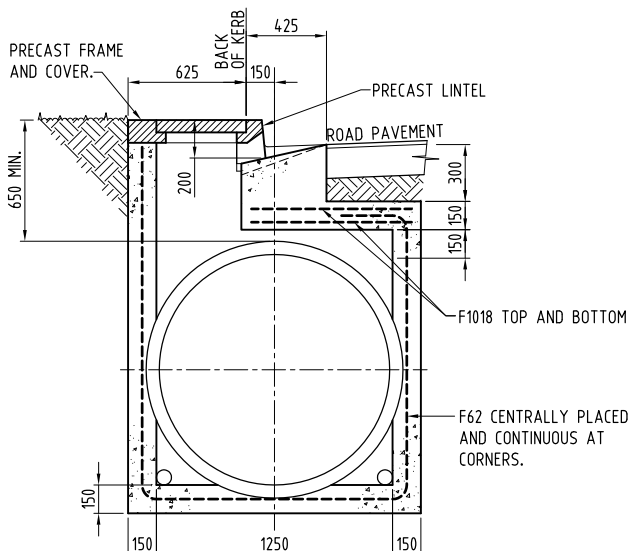


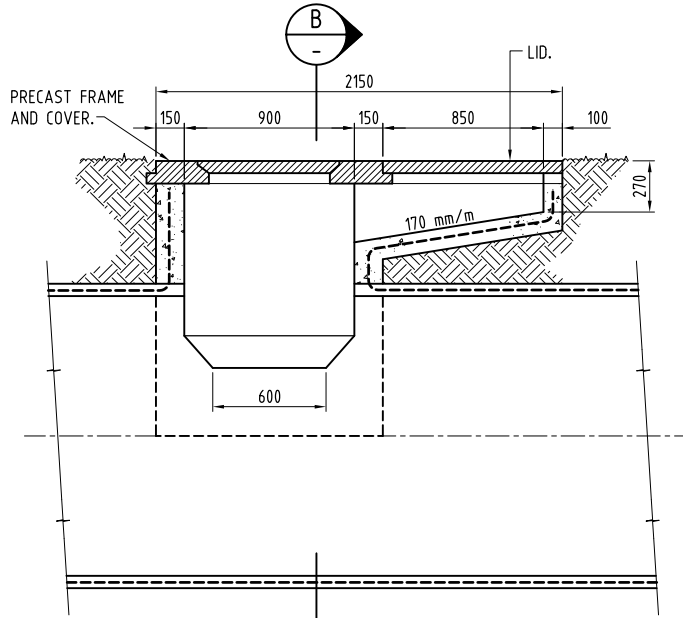
TYPICAL SECTION  
TYPE B



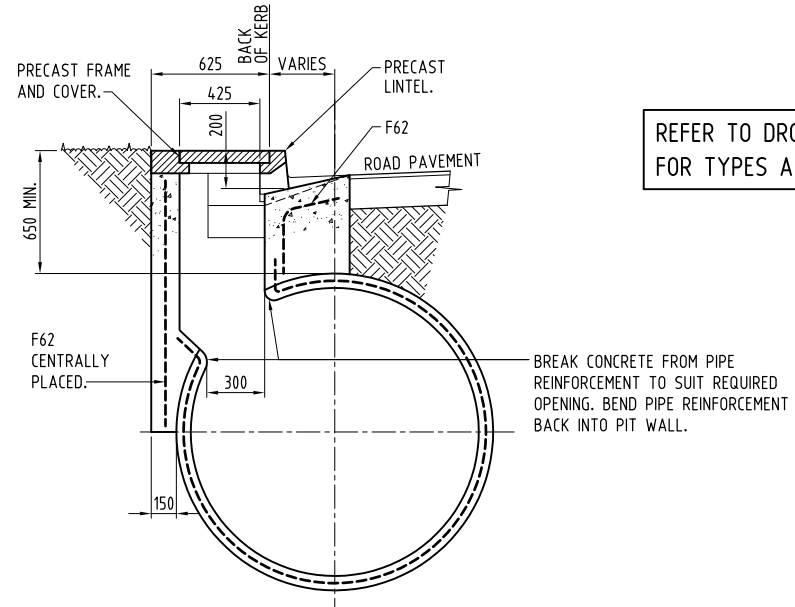
PLAN



TYPICAL SECTION  
TYPE C



SECTION  
B



SECTION  
A

REFER TO DRG. DCC-109  
FOR TYPES A OF S.E.P.

**NOTES**

1. THE PRECAST COMPONENTS AS DETAILED ARE MANUFACTURED BY HUMES. OTHER PRECAST COMPONENTS MAY BE USED IF THEY MEET COUNCIL APPROVAL FOR DIMENSIONAL SUITABILITY, CONCRETE STRENGTH, STEEL REINFORCEMENT AND GENERAL SERVICEABILITY.
2. POSITION OF ENTRY AND EXIT STORMWATER PIPES SHOWN ON THIS DRAWING ARE INDICATIVE.
3. WEEPHOLES TO BE PROVIDED IN ALL PITS. CONNECT 600 LONG x 100 DIA. SEWER STRENGTH PVC PIPES WITH END CAPS AT EACH WEEPHOLE AND WRAP IN GEOTEXTILE MATERIAL.
4. CONCRETE FOR PITS TO BE CLASS N25 FOR FIXING OF PRECAST COMPONENTS AND ANY PATCHING OF PITS USE MORTAR MIXED WITH 'LOKCRETE' OR SIMILAR.
5. **SAG PITS** - NO DEFLECTORS ARE NECESSARY.  
- FOR 3-BAY (AND 5-BAY, IF CALLED FOR) THE PIT SHOULD BE CENTRALLY PLACED WITH BAYS EITHER SIDE.
6. TRANSITIONS TO LAYBACK KERB :  
SAG PITS - 1m (UPSTREAM AND DOWNSTREAM)  
PITS ON GRADE - 3m (UPSTREAM AND DOWNSTREAM)  
PITS ON GRADE - 1.5m ON TURNOUT RADII  
- 3m ON STRAIGHTS.
7. LOCATE PRAM CROSSINGS CLEAR OF TRANSITION SECTIONS TO PITS.
8. ACCESS TO ALL DRAINAGE STRUCTURES TO COMPLY WITH OCCUPATIONAL HEALTH AND SAFETY REQUIREMENTS.
9. ALL REINFORCED CONCRETE PIPES TO BE FLUSH JOINTED WITH EXTERNAL RUBBER BANDS (EB).

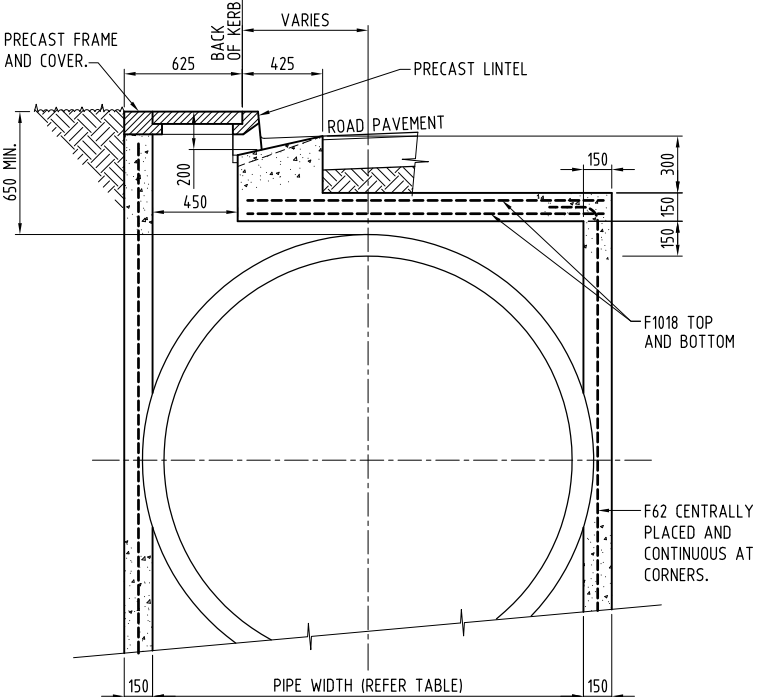
**TYPE H - SADDLE PIT**

**TABLE**

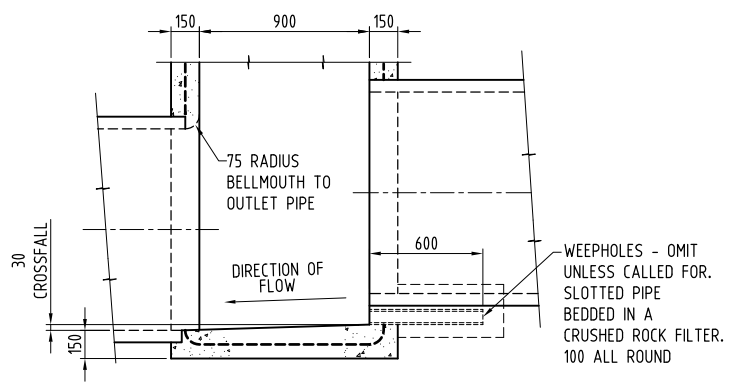
PIT TYPES AND CORRESPONDING PIPE SIZES			
PIT TYPE	RANGE OF PIPE SIZES	BACK OF KERB OFFSET TO PIPE C.L.	PIT WIDTH
A	375 AND 450	REFER TO DRG. DCC-109	
B	525 TO 750	110 BEHIND	770
C	825 TO 1200	150 IN FRONT	1250
D	1350 TO 1650	375 IN FRONT	1700
E	1800 TO 2100	675 IN FRONT	2150
F	2250 TO 2550	*	2600
G	2700 TO 3000	*	3050
H (SADDLE PIT)	900 TO 2100	TO SUIT	450

LENGTH OF ALL PITS AS DETAILED = 900

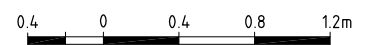
\* AS SPECIFIED BY SUPERINTENDENT OR CONTRACT DRAWINGS.



TYPICAL SECTION  
TYPE D-G



TYPICAL SECTION ALONG GRADE



AMENDMENTS			APPROVED BY DIRECTOR TECHNICAL SERVICES
No.	DESCRIPTION	DATE	
E			Original signed By Brendan Dowd 22-09-03 Date
D			
C			
B			
B			
A	ORIGINAL ISSUE	09/03	

**STANDARD DRAWING**  
SIDE ENTRY PIT - TYPE B TO H  
WITH PRECAST COMPONENTS

SHEET 11 OF 19  
SHEET SIZE: A1  
AMENDT. A  
DRAWING No. DCC-110

