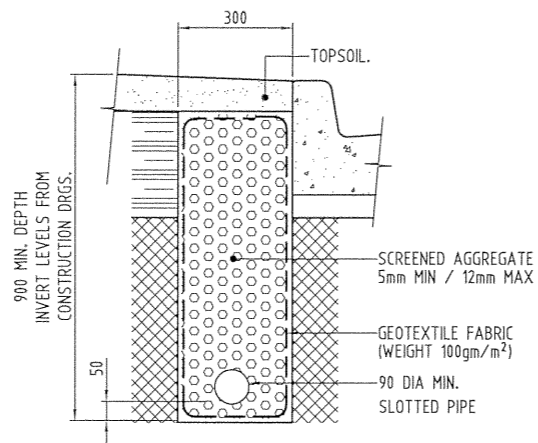
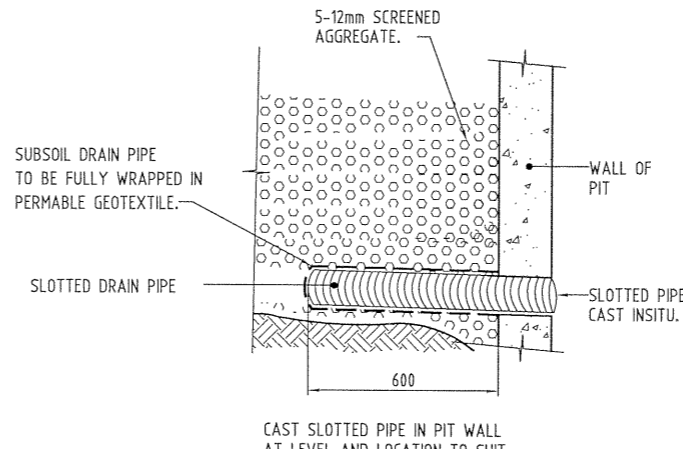


TYPE A - LIGHT FLOW



TYPE B - HEAVY FLOW



SUBSOIL PIPE CONNECTION

TABLE

PIT TYPES AND CORRESPONDING PIPE SIZES			
PIT TYPE	RANGE OF PIPE SIZES	BACK OF KERB OFFSET TO PIPE C.L.	PIT WIDTH
A	375 AND 450	REFER TO DRG. DCC-????????	
B	525 TO 750	110 BEHIND	770
C	825 TO 1200	150 IN FRONT	1250
D	1350 TO 1650	375 IN FRONT	1700
E	1800 TO 2100	675 IN FRONT	2150
F	2250 TO 2550	*	2600
G	2700 TO 3000	*	3050
H (SADDLE PIT)	900 TO 2100	TO SUIT	450

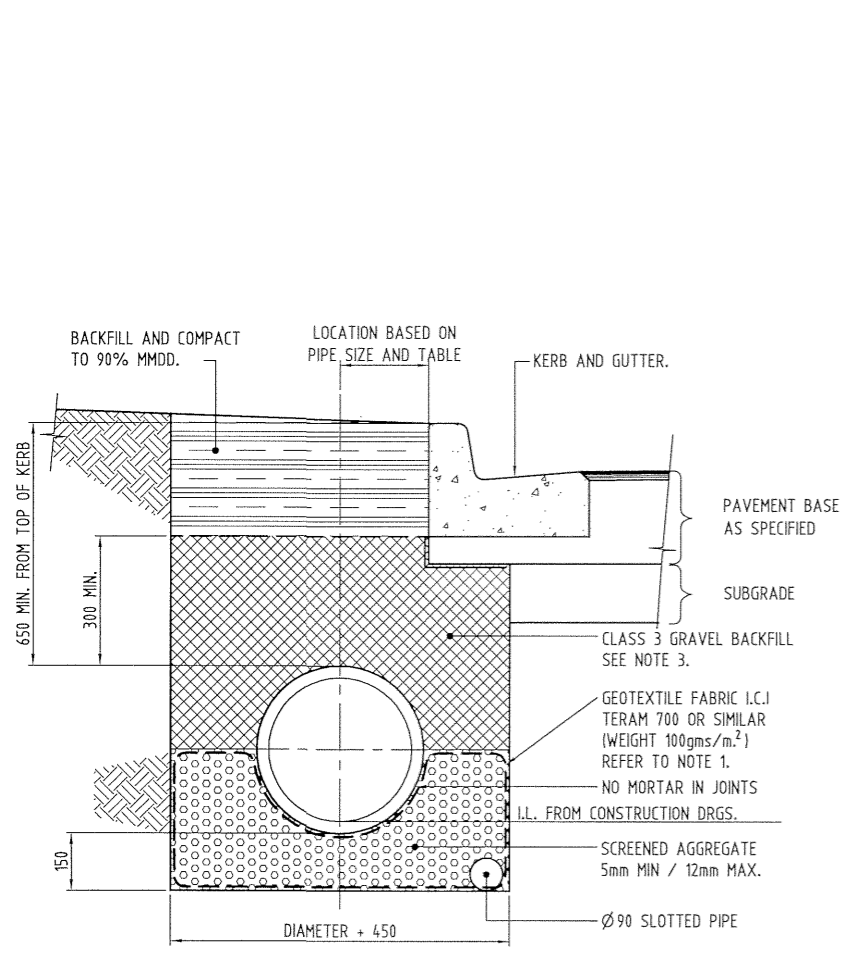
LENGTH OF ALL PITS AS DETAILED = 900

* AS SPECIFIED BY SUPERINTENDENT OR CONTRACT DRAWINGS.

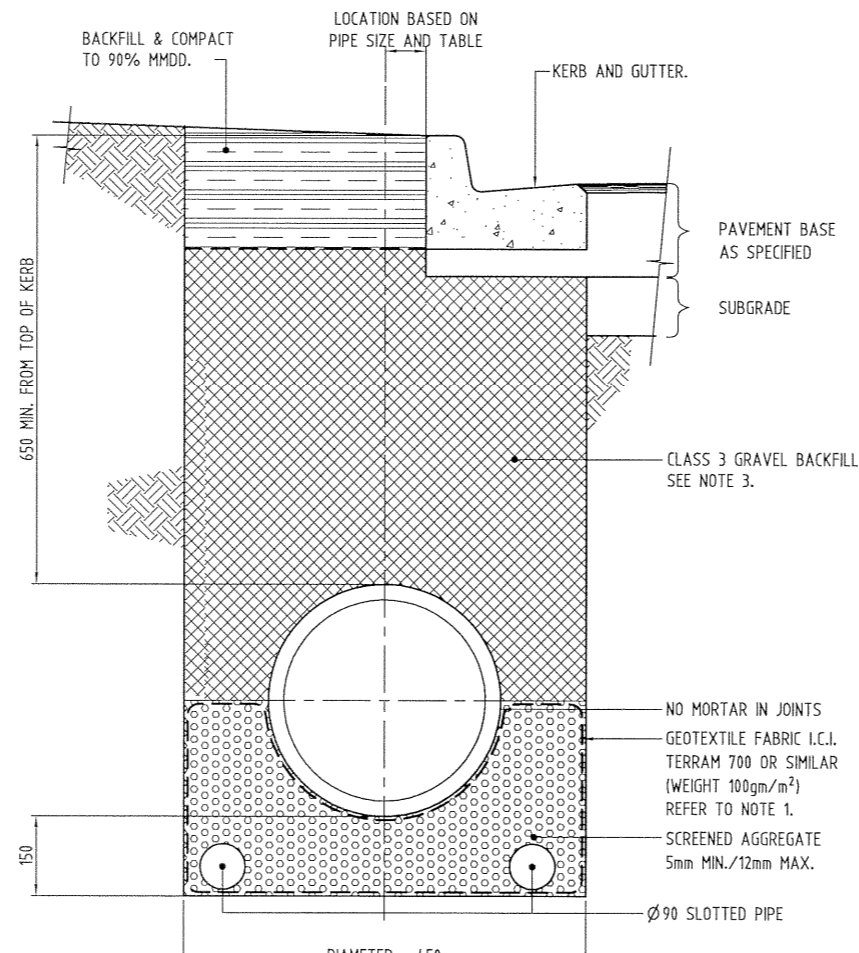
NOTES

1. GEOTEXTILE FABRIC TO BE LAID CONTINUOUSLY AS SHOWN AND PINNED TO TRENCH SIDES AT 1.00 METRE INTERVALS WITH ROOFING NAILS OR SIMILAR.
2. ALL DIMENSIONS ARE IN MILLIMETRES UNLESS NOTED OTHERWISE.
3. FILL MATERIAL SHALL BE PLACED IN 300mm LAYERS AND BE THOROUGHLY COMPACTED WITH 3 PASSES OF VIBRATORY COMPACTOR FOR EACH LAYER TO MINIMUM OF 95 % M.M.D.D.

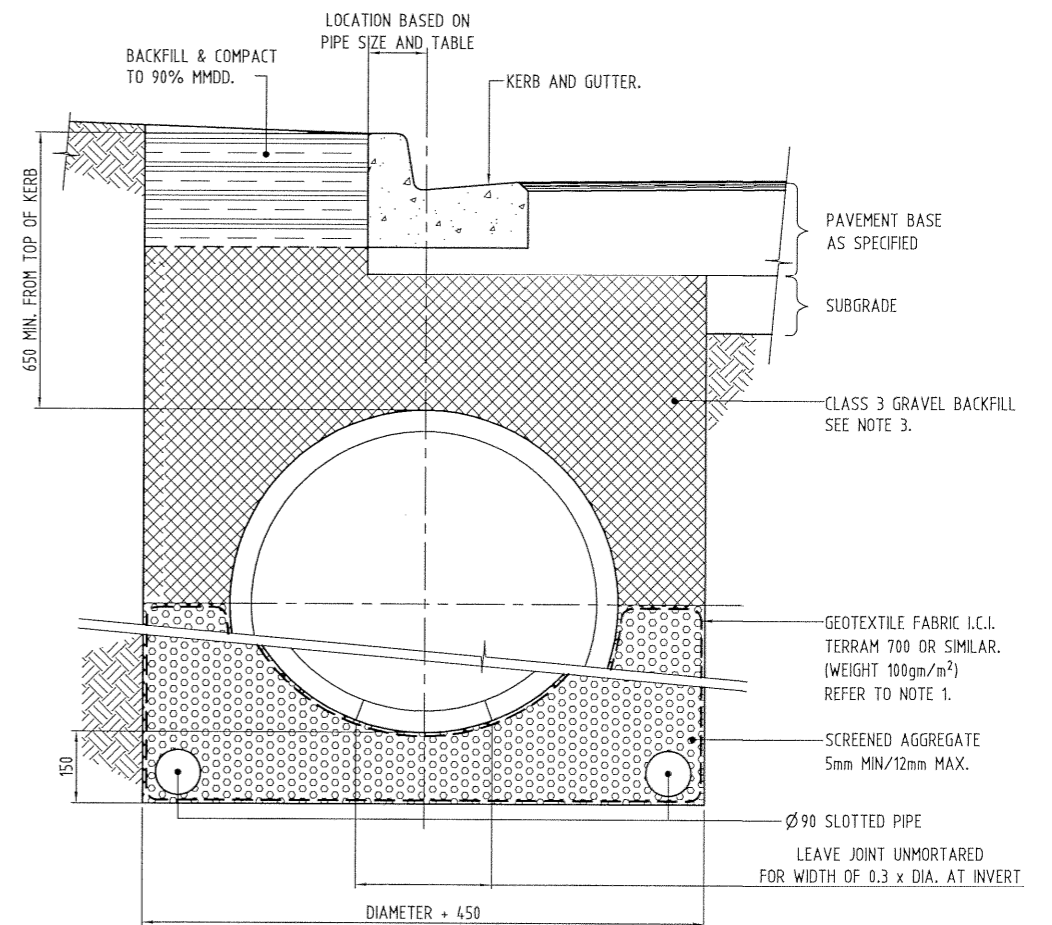
SUBSOIL DRAINAGE DETAILS



NORMAL DETAIL
(375 - 825 DIA.)

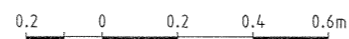


DEEP PIPE DETAIL
(375 - 825 DIA.)



LARGE PIPE DETAIL
(900 DIA UPWARDS)

STANDARD PIPE LAYING DETAILS - TYPE 2



AMENDMENTS				APPROVED BY DIRECTOR TECHNICAL SERVICES <i>Brendan Dowd</i> Date 27/11/03	STANDARD DRAWING	
No.	DESCRIPTION	DATE	INITIAL		SHEET SIZE: A1	AMENDT. A
E				SHEET 7 OF 19	DRAWING No. DCC-106	
D						
C						
B						
A	ORIGINAL ISSUE	09/03	S.W.S.			

