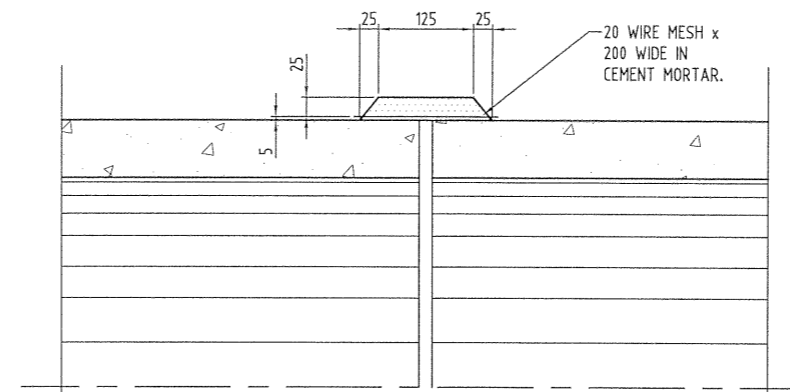
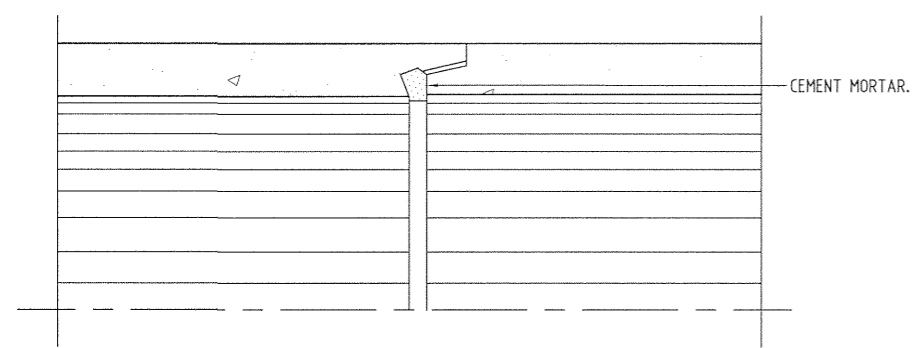


EXTERNAL FLUSH JOINT  
(525Ø AND SMALLER)

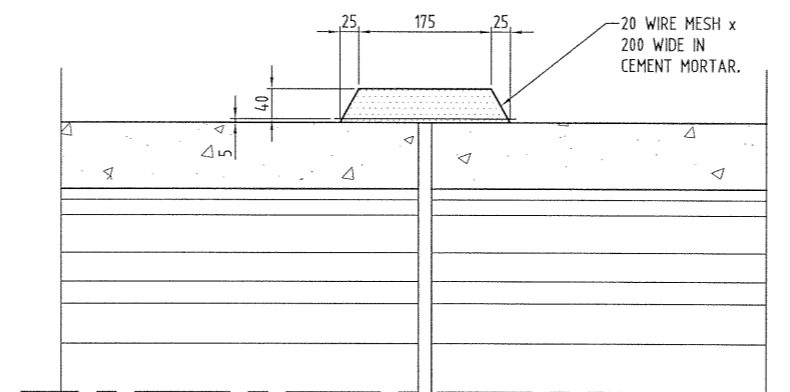


BANDAGE JOINT TO PLAIN ENDS  
(750Ø AND SMALLER)

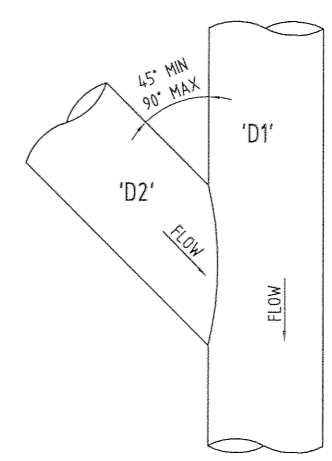
NOTE  
CEMENT MORTAR TO JOINTS NOT  
NORMALLY REQUIRED FOR PIPES BELOW  
900Ø.



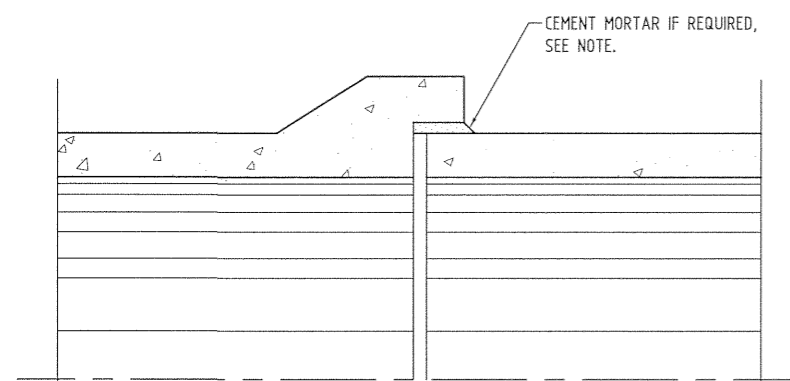
INTERNAL FLUSH JOINT  
(600Ø AND SMALLER)



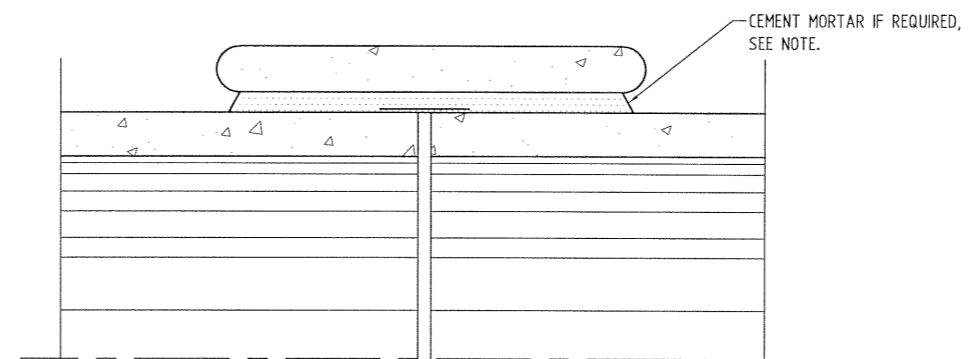
BANDAGE JOINT TO PLAIN ENDS  
(900Ø AND LARGER)



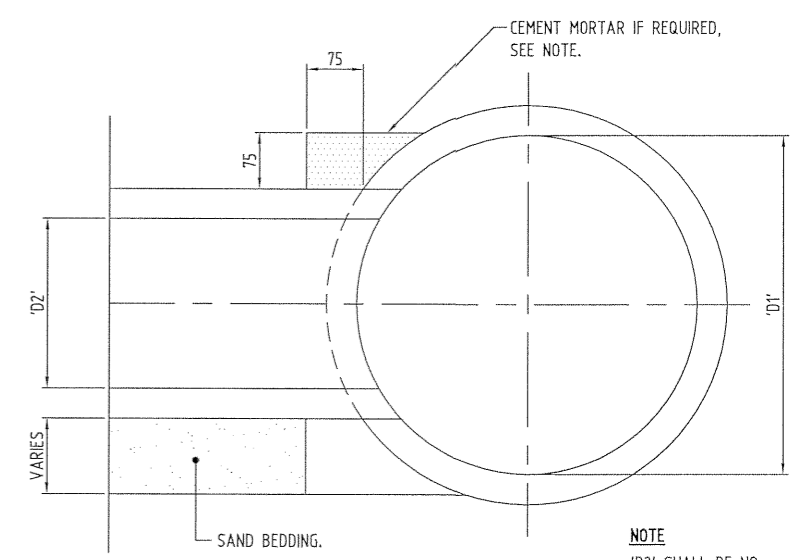
PLAN



SOCKET JOINT



COLLAR JOINT

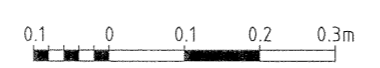


SECTION

INTERSECTION PIPES BANDAGE JOINT  
SECTION WHERE NO MANHOLE REQUIRED

ALTERNATIVE PIPE JOINTING DETAILS

TO BE USED WITH EXISTING CONSTRUCTION ONLY. UNDER NO CIRCUMSTANCES  
WILL THESE TYPES OF JOINTS BE PERMITTED FOR ANY NEW CONSTRUCTION  
WITHOUT SPECIFIC APPROVAL.



AMENDMENTS				APPROVED BY DIRECTOR TECHNICAL SERVICES	STANDARD DRAWING		
No.	DESCRIPTION	DATE	INITIAL		ALTERNATIVE PIPE JOINTING		
E				 Brendan Dowd Date 22/9/03	SHEET SIZE. A1	AMENDT. A	DRAWING No. DCC-107
D							
C							
B							
A	ORIGINAL ISSUE	09/03	S.W.S.		SHEET 8 OF 19		

