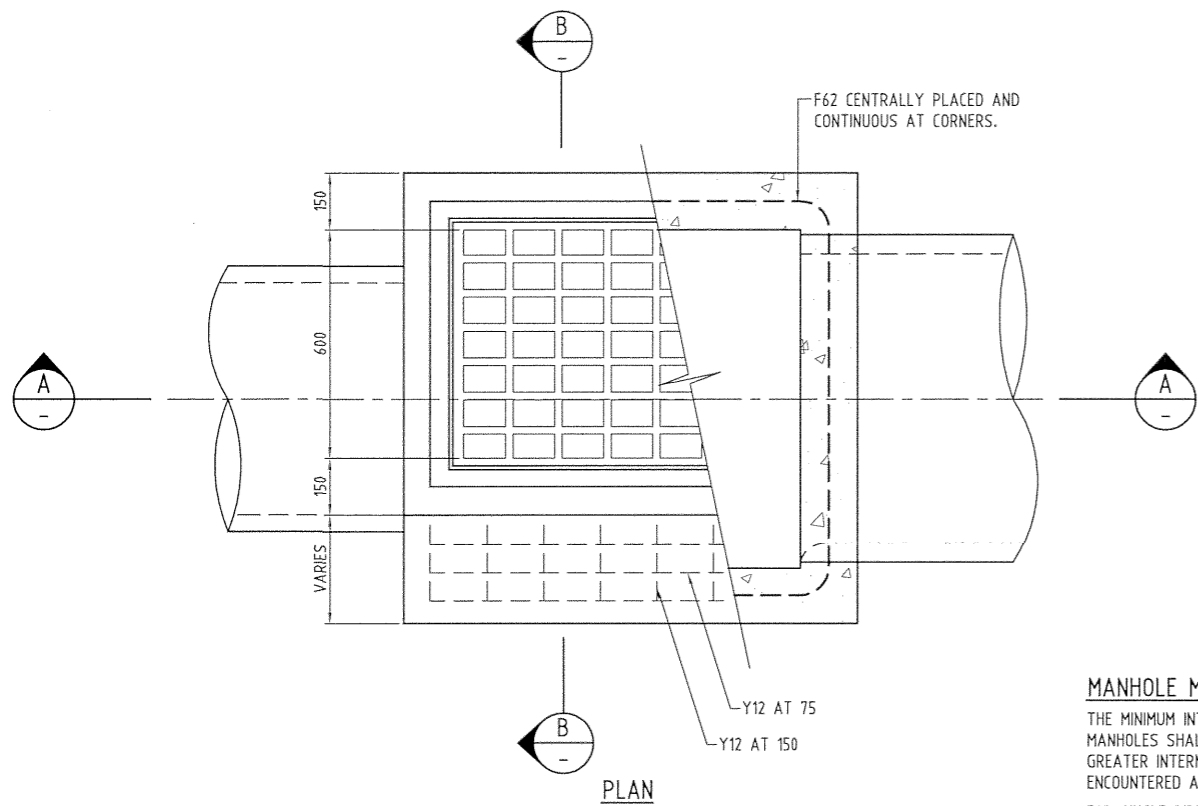


GENERAL NOTES

1. GATIC TYPE COVERS . FOR ALL LOCATIONS IN ROAD RESERVES USE HEAVY DUTY 600 x 990 B293 COVER OR EQUIVALENT. COVERS TO BE SET FLUSHED WITH FINISHED SURFACE. CELLS IN FRAME AND COVER TO BE FILLED WITH N25 CONCRETE AND TROWELLED FLUSH.
2. ARRANGEMENTS OF STORMWATER PIPES SHOWN IN THIS DRAWING ARE INDICATIVE.
3. WEEPHOLES TO BE PROVIDED IN ALL PIT. CONNECT 600 LONG x 100 DIA. SEWER STRENGTH P.V.C. PIPES WITH END CAPS AT EACH WEEPHOLE AND WRAP IN GEOTEXTILE MATERIAL AND BED AS SHOWN.
4. CONCRETE FOR PITS TO BE CLASS N25. FOR FIXING OF PRECAST COMPONENTS AND ANY PATCHING OF PITS USE MORTAR MIXED WITH 'LOKCRETE' OR SIMILAR.
5. ALL EXPOSED STEELWORK TO BE CLEANED AFTER FABRICATION AND HOT DIPPED GALVANISED.
6. COMMERCIALY PRODUCED GRATES MAY BE USED BUT MUST BE CYCLE SAFE WHEN ON CARRIAGEWAYS OR SIMILAR CYCLE ACCESSIBLE AREAS
7. ACCESS TO DRAINAGE STRUCTURES TO COMPLY WITH OCCUPATIONAL HEALTH AND SAFETY REQUIREMENTS.
8. ALTERNATIVE PREFABRICATED TYPES OF PITS, MANHOLES AND COVERS WILL REQUIRED APPROVAL PRIOR TO USE.
9. ALL REINFORCED CONCRETE PIPES TO BE FLUSH JOINTED WITH EXTERNAL RUBBER BANDS (EB).



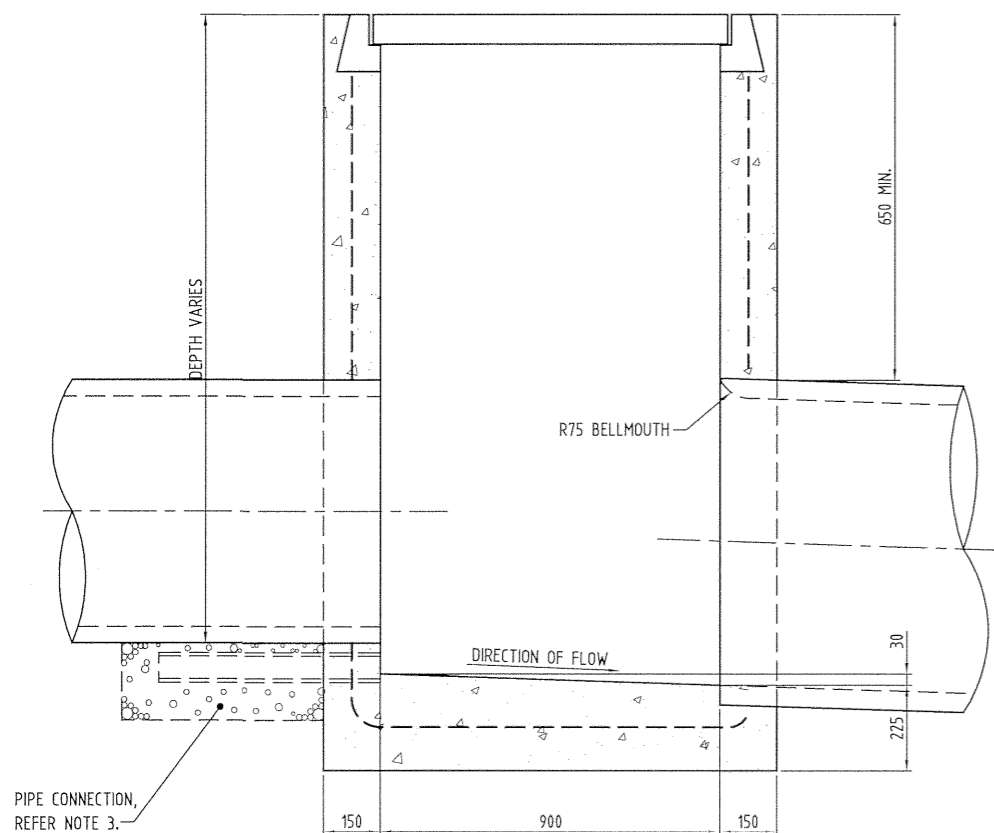
MANHOLE MINIMUM WIDTH

THE MINIMUM INTERNAL WIDTH OF MANHOLES SHALL BE 900 x 600. GREATER INTERNAL WIDTHS MAY BE ENCOUNTERED AS NOTED BELOW:

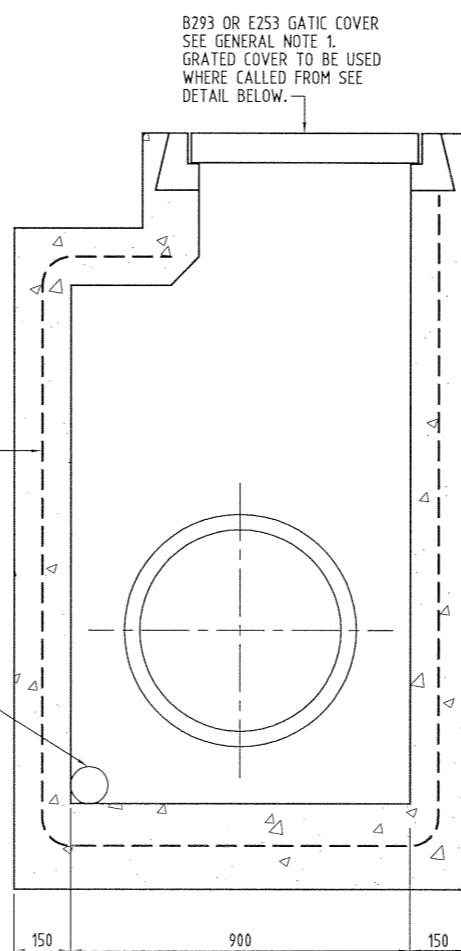
FOR SINGLE PIPE:-
INTERNAL WIDTH = EXTERNAL PIPE DIA.

FOR DOUBLE PIPES:-
INTERNAL WIDTH = SUM OF EXTERNAL PIPE DIA'S. + 250.

WHERE PIPES ENTER MANHOLE AT AN ANGLE, INTERNAL WIDTH TO BE INCREASED TO MAINTAIN ABOVE CLEARANCES.



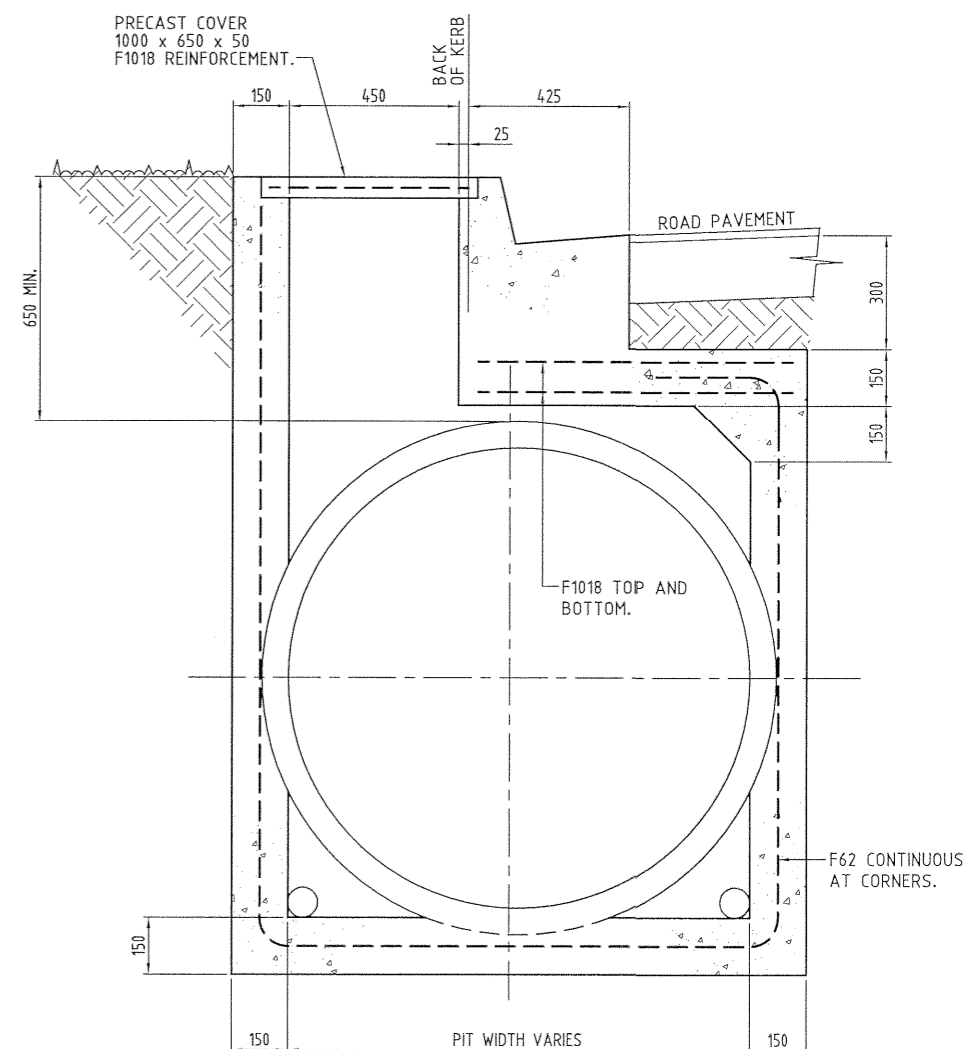
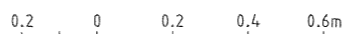
A SECTION



SEE NOTES ABOVE FOR MANHOLE INTERNAL WIDTH

B SECTION

MANHOLE ACCESS PIT
PLAIN OR GRATED



KERB SIDE MANHOLE
TYPICAL SECTION

AMENDMENTS				APPROVED BY DIRECTOR TECHNICAL SERVICES <i>[Signature]</i> Brendan Dowd Date 22/9/03	STANDARD DRAWING	
No.	DESCRIPTION	DATE	INITIAL		MANHOLE ACCESS PIT	
E				SHEET 9 OF 19	SHEET SIZE: A1	AMENDT. A
D						
C						
B						
A	ORIGINAL ISSUE	09/03	S.W.S.			
					DRAWING No. DCC-108	

