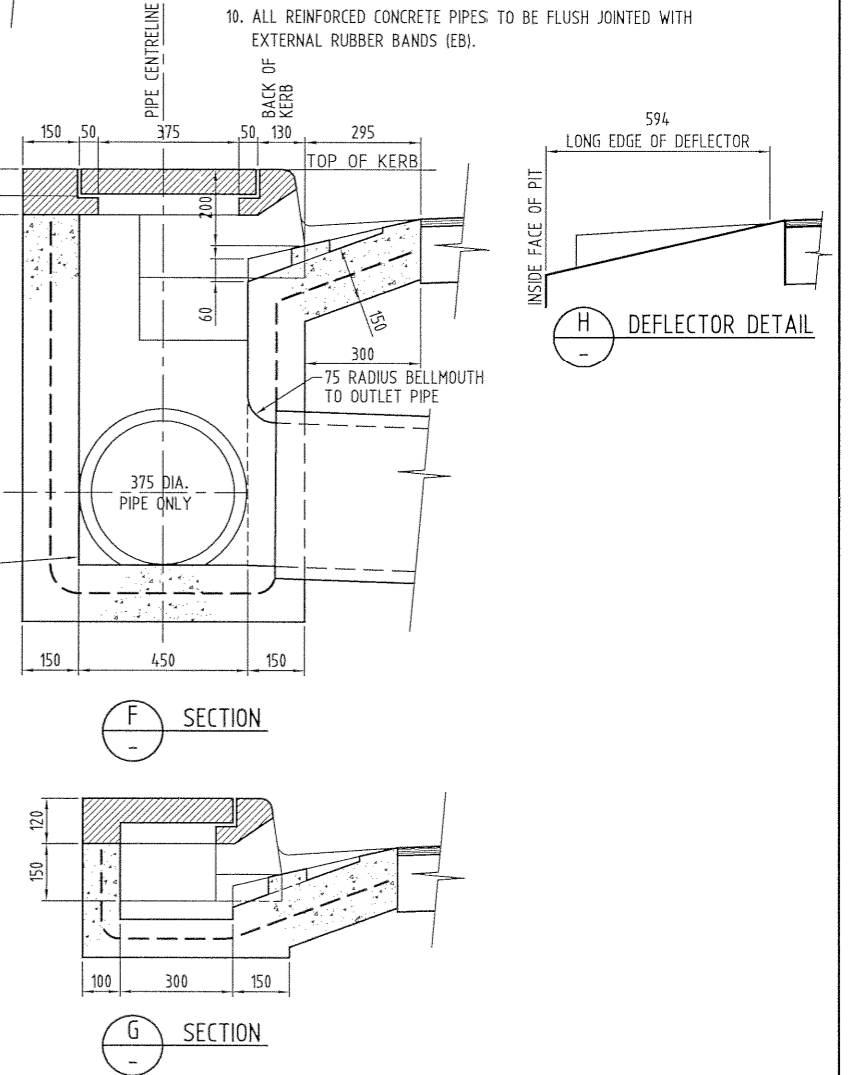
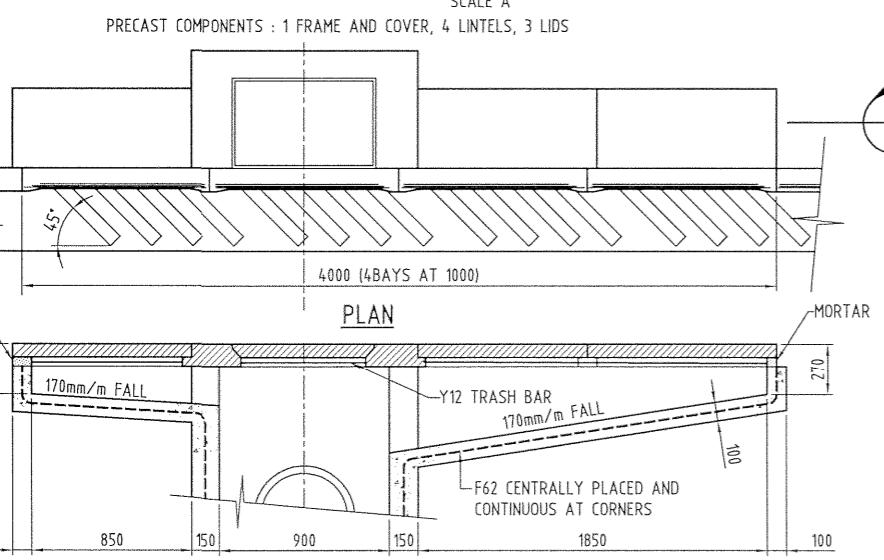
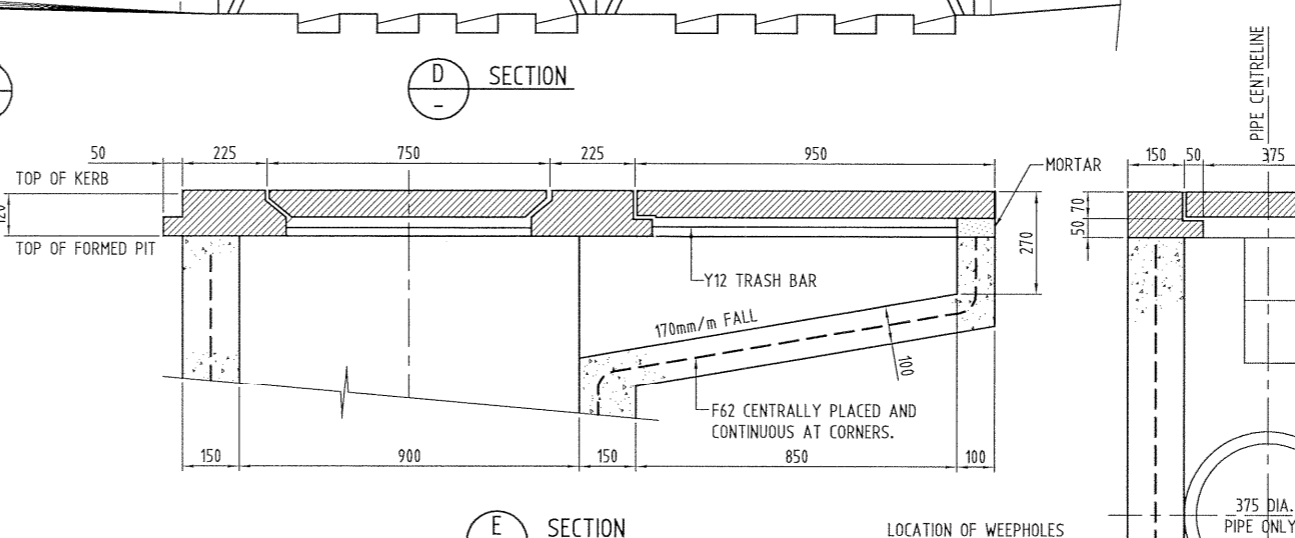
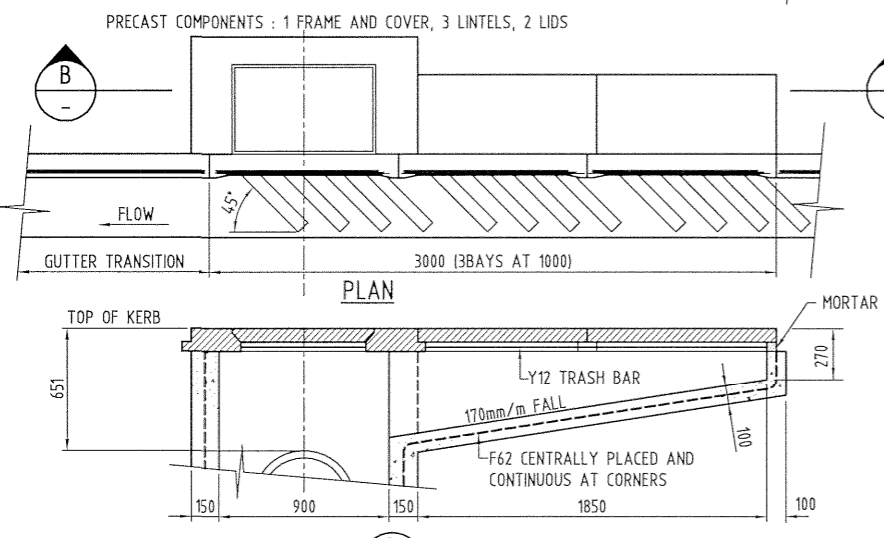
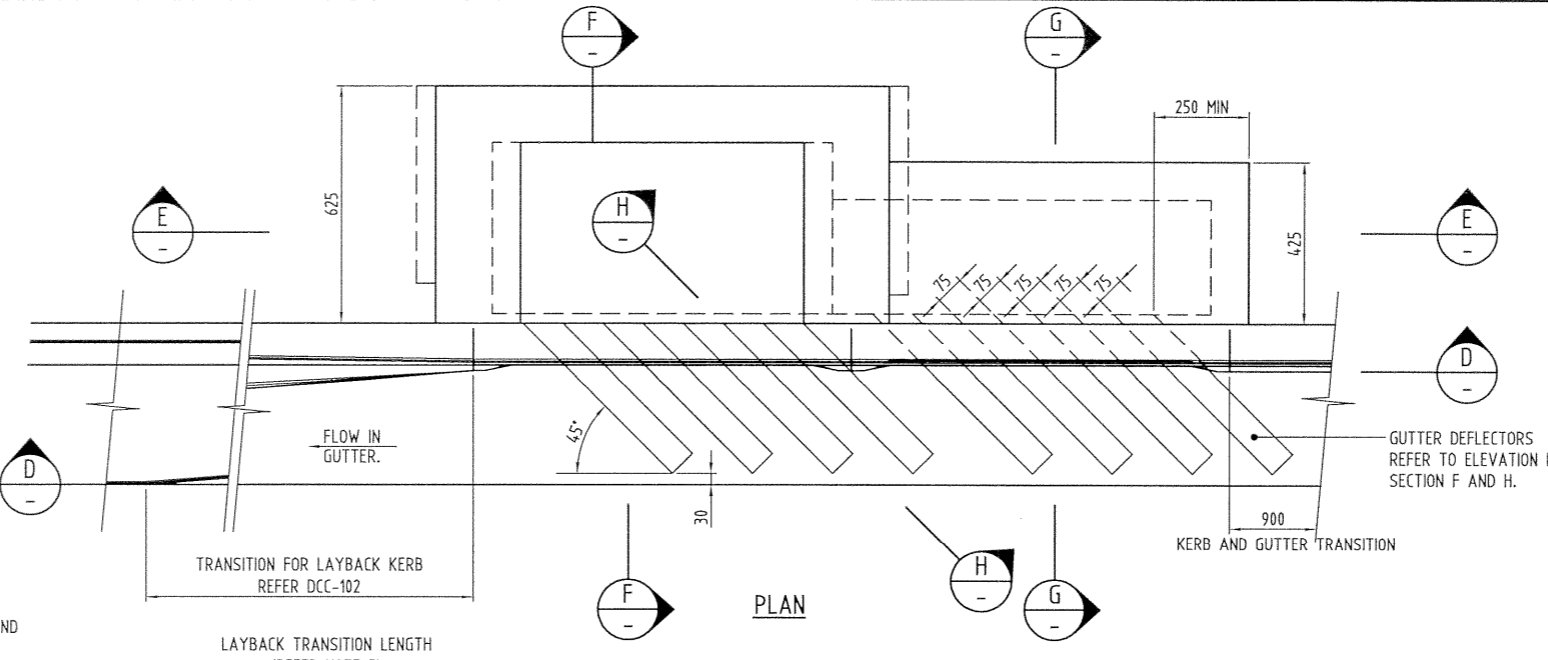
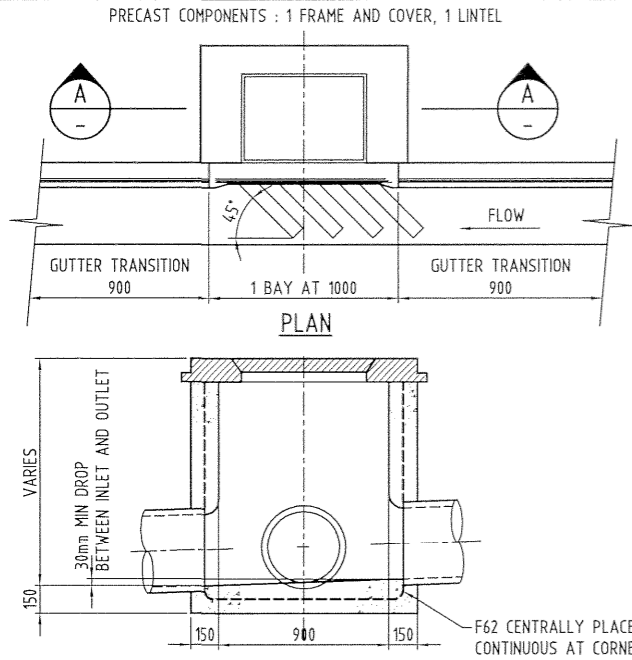
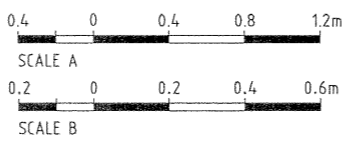


- NOTES**
1. THE PRECAST COMPONENTS AS DETAILED ARE MANUFACTURED BY HUMES. OTHER PRECAST COMPONENTS MAY BE USED IF THEY MEET COUNCIL APPROVAL FOR DIMENSIONAL SUITABILITY, CONCRETE STRENGTH, STEEL REINFORCEMENT AND GENERAL SERVICEABILITY.
 2. POSITION OF ENTRY AND EXIT STORMWATER PIPES SHOWN ON THIS DRAWING ARE INDICATIVE.
 3. WEEPHOLES TO BE PROVIDED IN ALL PITS. CONNECT 600 LONG x 100 DIA. SEWER STRENGTH PVC PIPES WITH END CAPS AT EACH WEEPHOLE AND WRAP IN GEOTEXTILE MATERIAL.
 4. CONCRETE FOR PITS TO BE CLASS N25 FOR FIXING OF PRECAST COMPONENTS AND ANY PATCHING OF PITS USE MORTAR MIXED WITH 'LOKCRETE' OR SIMILAR.
 5. **SAG PITS**
 - NO DEFLECTORS ARE NECESSARY.
 - FOR 3-BAY (AND 5-BAY, IF CALLED FOR) THE PIT SHOULD BE CENTRALLY PLACED WITH BAYS EITHER SIDE.
 6. TRANSITIONS TO LAYBACK KERB :
 - SAG PITS - 1m (UPSTREAM AND DOWNSTREAM)
 - PITS ON GRADE - 3m (UPSTREAM AND DOWNSTREAM)
 - PITS ON GRADE - 1.5m ON TURNOUT RADII
 - 3m ON STRAIGHTS.
 7. LOCATE PRAM CROSSINGS CLEAR OF TRANSITION SECTIONS TO PITS.
 8. ACCESS TO ALL DRAINAGE STRUCTURES TO COMPLY WITH OCCUPATIONAL HEALTH AND SAFETY REQUIREMENTS.
 9. MAXIMUM DEPTH TYPE A PIT TO BE 1.2m.
 10. ALL REINFORCED CONCRETE PIPES TO BE FLUSH JOINTED WITH EXTERNAL RUBBER BANDS (EB).



REFER TO DRG. DCC-110 FOR OTHER TYPES OF S.E.P.



AMENDMENTS				APPROVED BY DIRECTOR TECHNICAL SERVICES
No.	DESCRIPTION	DATE	INITIAL	
E				 Brendan Dowd 22/9/03 Date
D				
C				
B				
A	ORIGINAL ISSUE	09/03	S.W.S.	

STANDARD DRAWING		
SIDE ENTRY PIT - TYPE A		
PRECAST COMPONENTS - 1.2m MAX DEPTH		
SHEET SIZE: A1	AMENDT. A	DRAWING No. DCC-109

