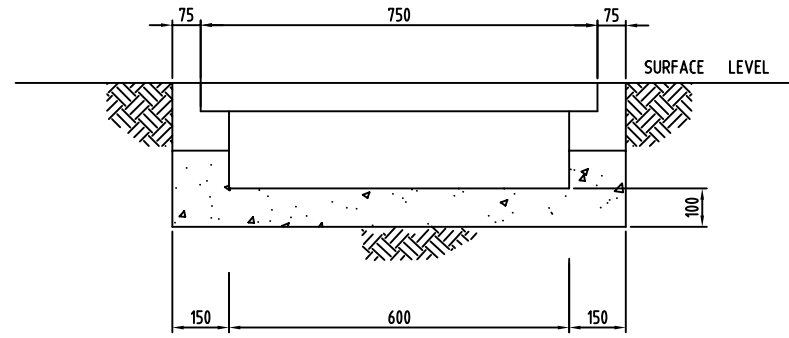
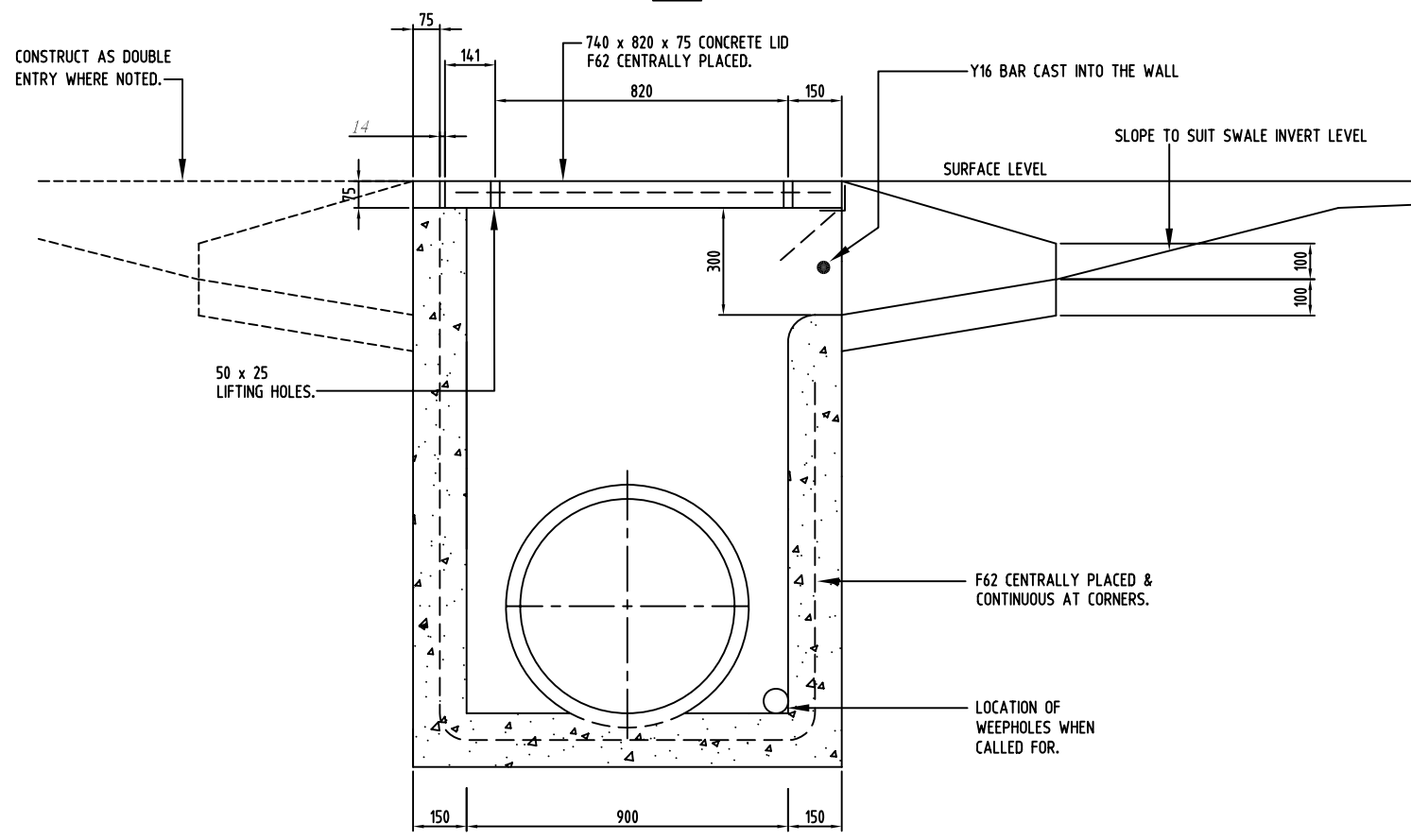


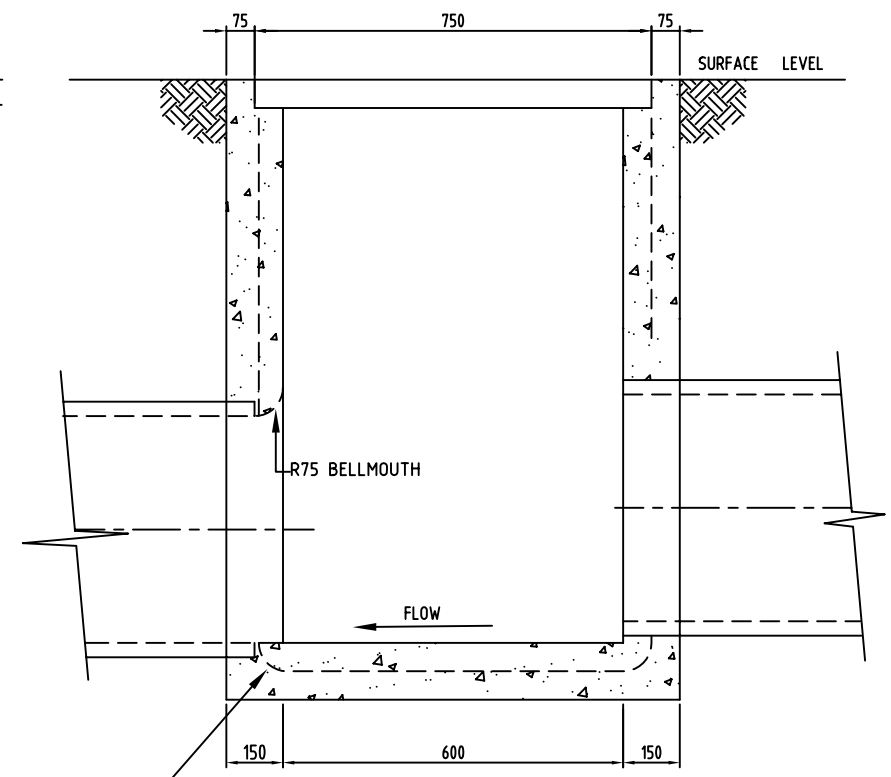
PLAN



SECTION C



SECTION A



SECTION B

GENERAL NOTES

1. GATIC TYPE COVERS . FOR ALL LOCATIONS IN ROAD RESERVES USE HEAVY DUTY 600 x 990 B293 COVER OR EQUIVALENT. COVERS TO BE SET FLUSHED WITH FINISHED SURFACE. CELLS IN FRAME AND COVER TO BE FILLED WITH N25 CONCRETE AND TROWELLED FLUSH.
2. ARRANGEMENTS OF STORMWATER PIPES SHOWN IN THIS DRAWING ARE INDICATIVE.
3. WEEPHOLES TO BE PROVIDED IN ALL PIT. CONNECT 600 LONG x 100 DIA. SEWER STRENGTH P.V.C. PIPES WITH END CAPS AT EACH WEEPHOLE AND WRAP IN GEOTEXTILE MATERIAL AND BED AS SHOWN.
4. CONCRETE FOR PITS TO BE CLASS N25. FOR FIXING OF PRECAST COMPONENTS AND ANY PATCHING OF PITS USE MORTAR MIXED WITH 'LOKCRETE' OR SIMILAR.
5. ALL EXPOSED STEELWORK TO BE CLEANED AFTER FABRICATION AND HOT DIPPED GALVANISED.
6. COMMERCIALY PRODUCED GRATES MAY BE USED BUT MUST BE CYCLE SAFE WHEN ON CARRIAGeways OR SIMILAR CYCLE ACCESSIBLE AREAS
7. ACCESS TO DRAINAGE STRUCTURES TO COMPLY WITH OCCUPATIONAL HEALTH AND SAFETY REQUIREMENTS.
8. ALTERNATIVE PREFABRICATED TYPES OF PITS, MANHOLES AND COVERS WILL REQUIRED APPROVAL PRIOR TO USE.
9. ALL REINFORCED CONCRETE PIPES TO BE FLUSH JOINTED WITH EXTERNAL RUBBER BANDS (EB).

LETTERBOX PIT  
SINGLE AND DUAL ENTRY

F62 CENTRALLY PLACED AND CONTINUOUS AT CORNERS.

AMENDMENTS			
No.	DESCRIPTION	DATE	INITIAL
E			
D			
C			
B	PIT WIDTH CORRECTION OF SECTION B & C	15/01/08	A.J.C.
A	ORIGINAL ISSUE	09/03	S.W.S.

APPROVED BY  
DIRECTOR  
TECHNICAL SERVICES  
Original Signed By  
Brendan Dowd  
22-09-03  
Date

STANDARD DRAWING

LETTERBOX PIT

SHEET SIZE. A1 AMENDT. B DRAWING No. DCC-112

