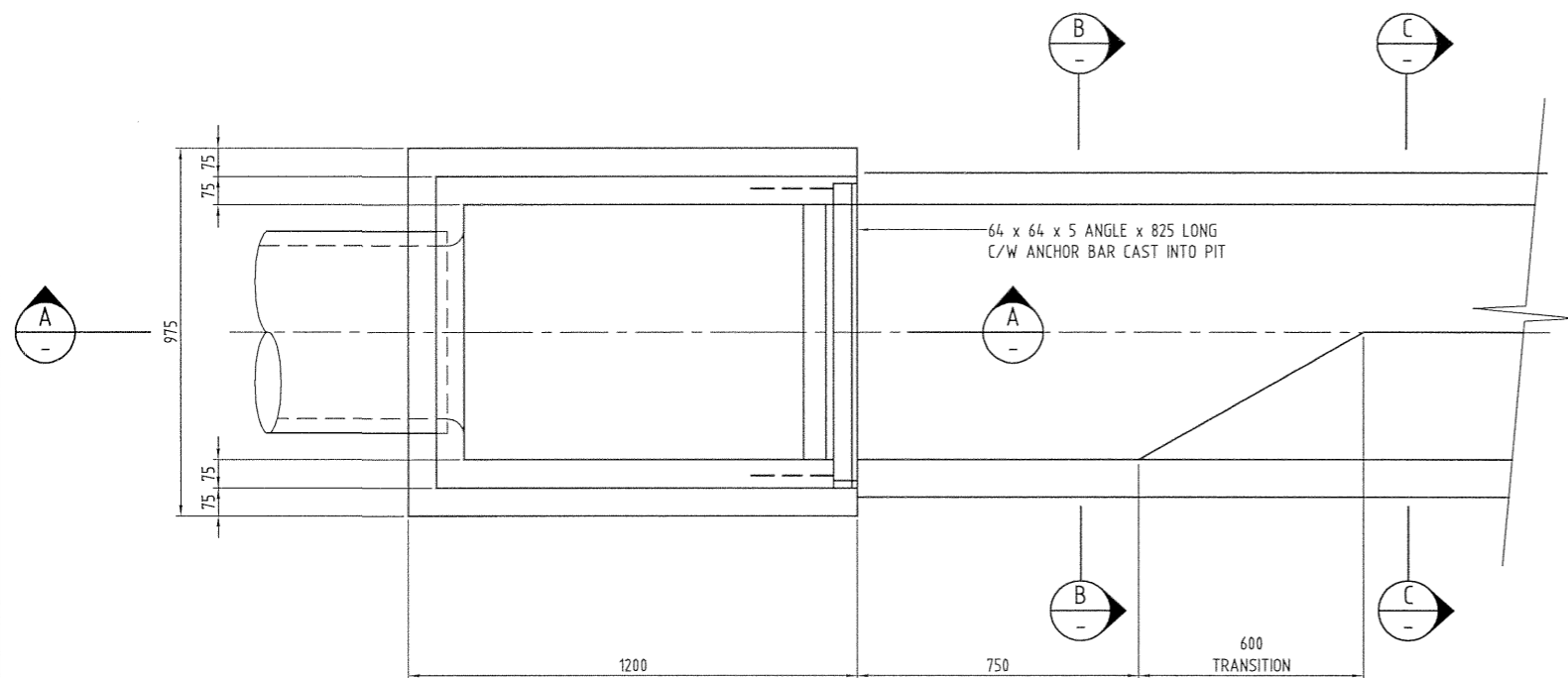
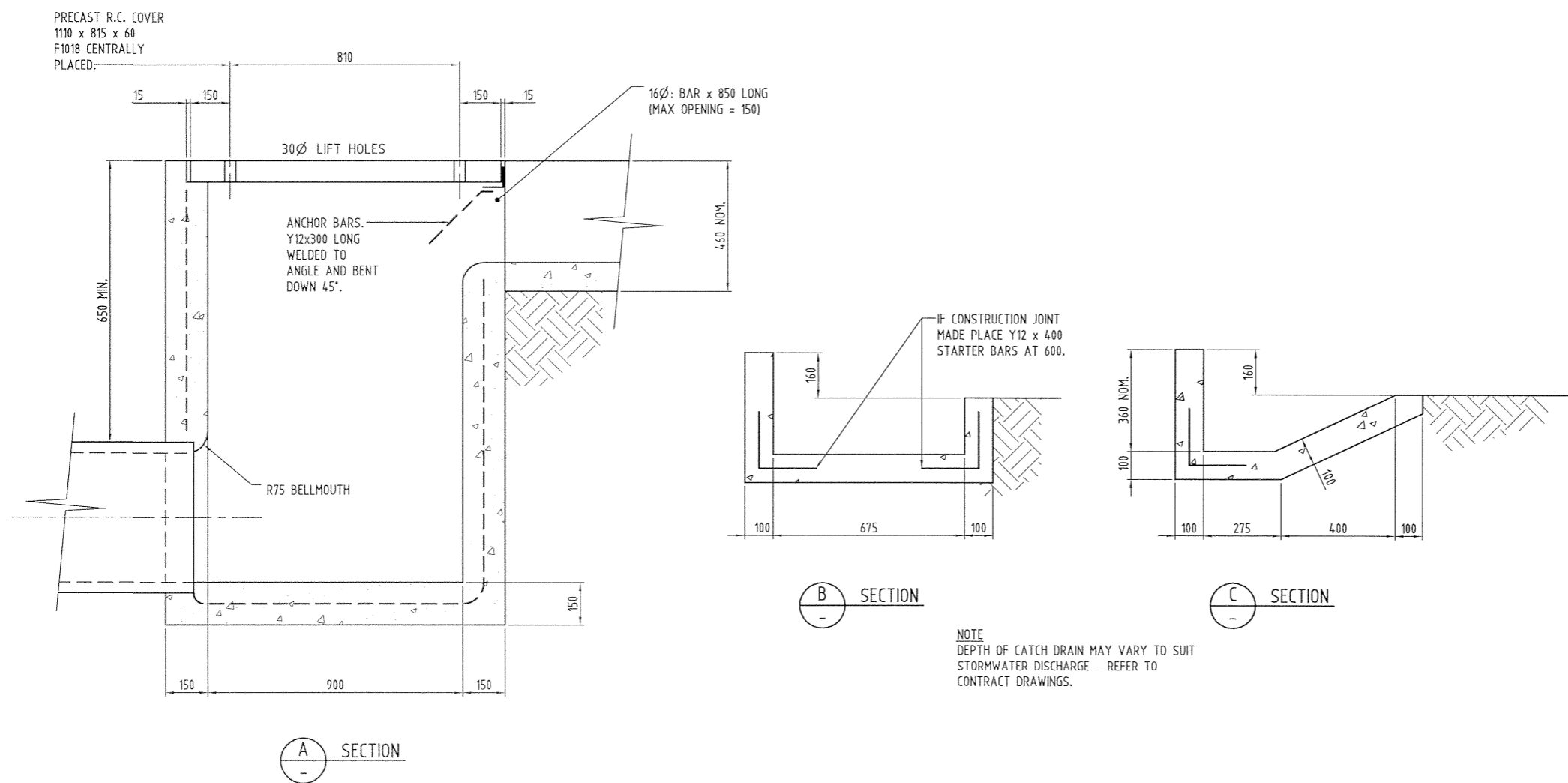


GENERAL NOTES

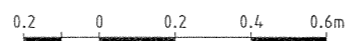
1. GATIC TYPE COVERS . FOR ALL LOCATIONS IN ROAD RESERVES USE HEAVY DUTY 600 x 990 B293 COVER OR EQUIVALENT. COVERS TO BE SET FLUSH WITH FINISHED SURFACE. CELLS IN FRAME AND COVER TO BE FILLED WITH 25 MPa CONCRETE AND TROWELLED FLUSH.
2. ARRANGEMENTS OF STORMWATER PIPES SHOWN IN THIS DRAWING ARE TYPICAL.
3. WEEPHOLES TO BE PROVIDED IN ALL PIT. CONNECT 600 LONG x 100 DIA. SEWER STRENGTH P.V.C. PIPES WITH END CAPS AT EACH WEEPHOLE AND WRAP IN GEOTEXTILE MATERIAL AND BED.
4. CONCRETE FOR PITS TO BE CLASS N25. FOR FIXING OF PRECAST COMPONENTS AND ANY PATCHING OF PITS USE MORTAR MIXED WITH 'LOKCRETE' OR SIMILAR.
5. ALL EXPOSED STEELWORK TO BE CLEANED AFTER FABRICATION AND HOT DIPPED GALVANISED.
6. COMMERCIALY PRODUCED GRATES MAY BE USED BUT MUST BE CYCLE SAFE WHEN ON CARRIAGEWAYS OR SIMILAR CYCLE ACCESSIBLE AREAS
7. ACCESS TO DRAINAGE STRUCTURES TO COMPLY WITH OCCUPATIONAL HEALTH AND SAFETY REQUIREMENTS.
8. ALTERNATIVE PREFABRICATED TYPES OF PITS, MANHOLES AND COVERS WILL REQUIRED APPROVAL PRIOR TO USE.
9. ALL REINFORCED CONCRETE PIPES TO BE FLUSH JOINTED WITH EXTERNAL RUBBER BANDS (EB).



PLAN
(COVER REMOVED)



LETTERBOX PIT WITH CATCH DRAIN



AMENDMENTS				APPROVED BY DIRECTOR TECHNICAL SERVICES <i>Brendan Dowd</i> Brendan Dowd 22/9/03 Date	STANDARD DRAWING	
No.	DESCRIPTION	DATE	INITIAL		LETTERBOX PIT WITH CATCH DRAIN	
E				SHEET 14 OF 19	SHEET SIZE: A1	AMENDT. A
D						
C						
B						
A	ORIGINAL ISSUE	09/03	S.W.S.			
					DRAWING No. DCC-113	

