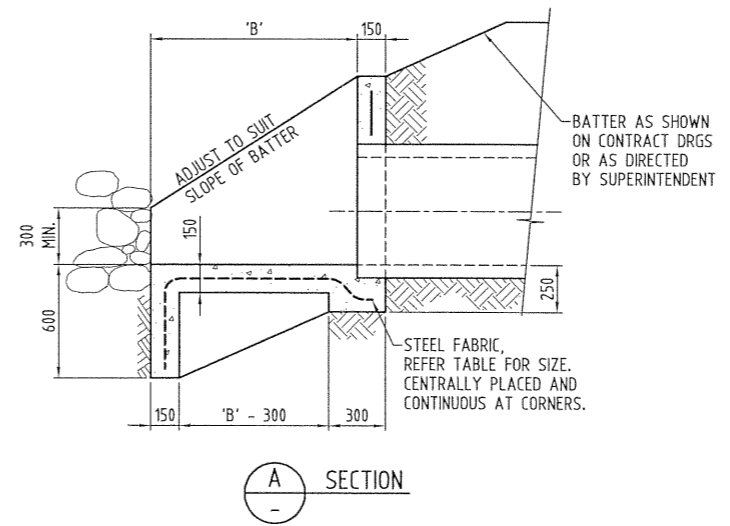
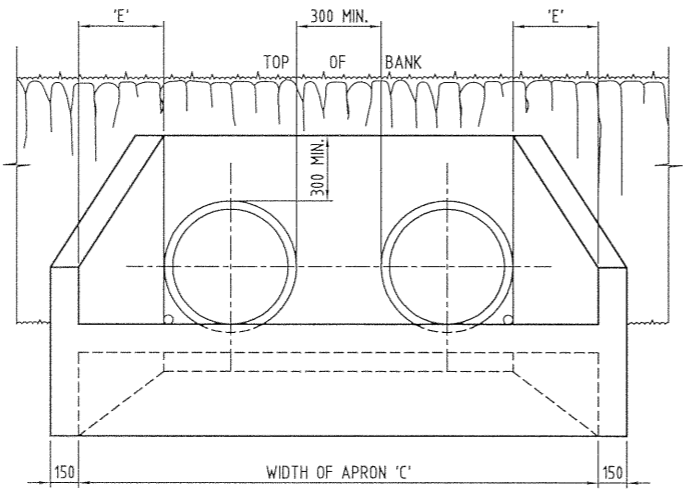
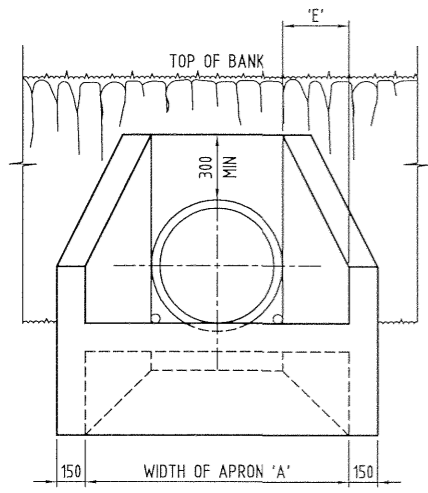
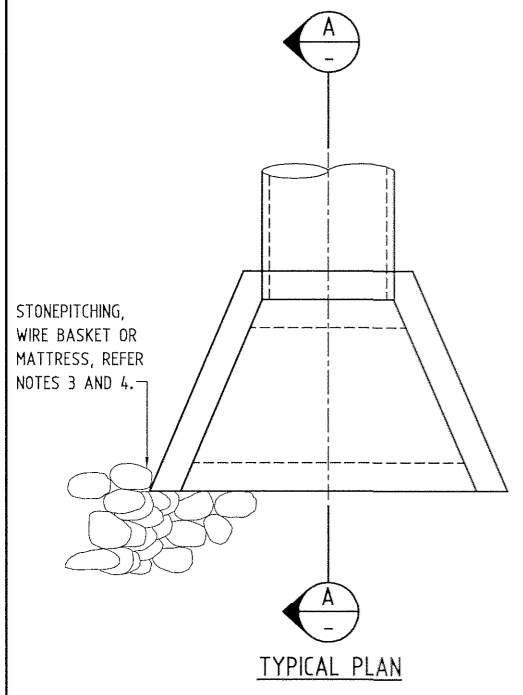
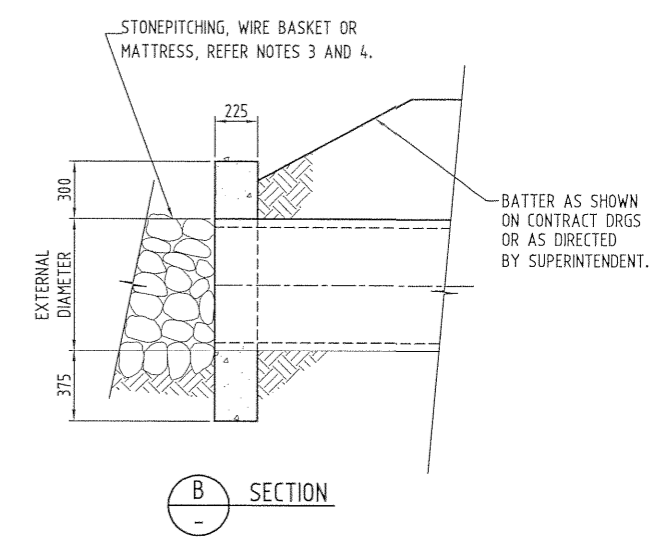
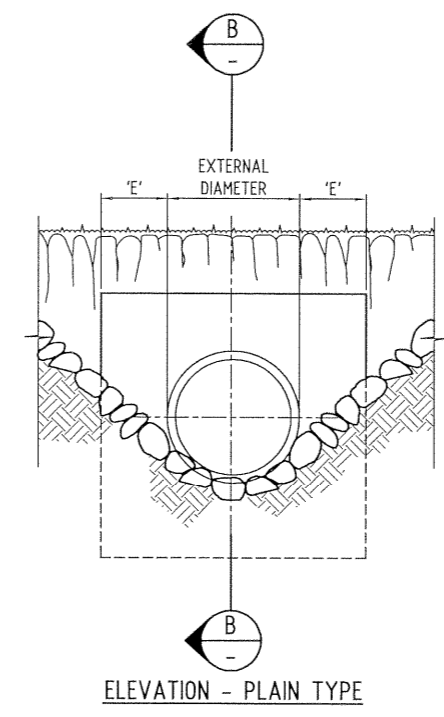
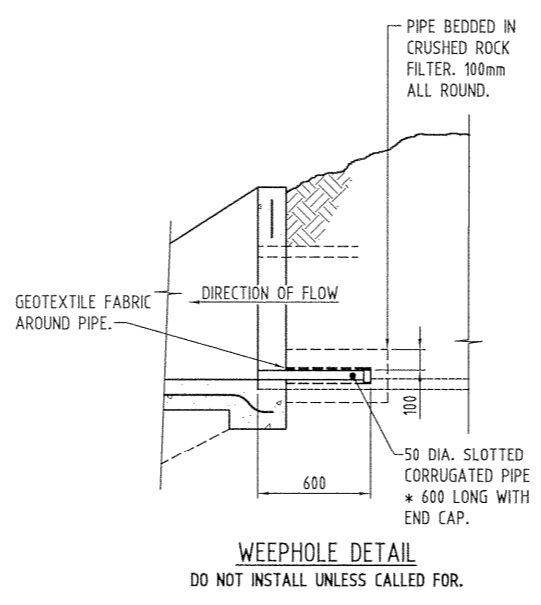


ENDWALL TYPE AND DIMENSIONS FOR R.C. PIPE					
DIAMETER OF PIPE 'D'	LENGTH OF APRON 'B'	WIDTH OF APRON			STEEL FABRIC
		SINGLE		DOUBLE	
		'A'	'C'	'E'	
375	600	1050	1800	300	F52
450	700	1240	2120	350	F52
525	850	1420	2440	400	F52
600	1000	1600	2750	450	F52
675	1100	1780	3060	500	F52
750	1200	1970	3400	550	F52
900	1450	2230	3860	600	F52
1050	1700	2500	4350	650	F62
1200	1950	2760	4820	700	F62
1350	2150	3130	5460	800	F72
1500	2400	3480	6060	900	F72
1650	2650	3840	6680	1000	F82
1800	2900	4200	7300	1100	F92
1950	3150	4450	7700	1200	F102

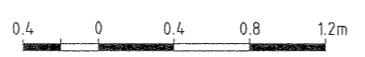


CONCRETE ENDWALL - TYPE 2
(PLAIN)

CONCRETE ENDWALL - TYPE 1
(WITH APRON)

NOTES

1. ENDWALL TYPE. REFER TO CONTRACT DRAWINGS FOR TYPE AND SIZE.
2. GENERAL. ALL STRUCTURES DETAILED ON THIS DRAWING TO CONFORM TO TECHNICAL SPECIFICATION FOR ROADWORKS.
3. STONEPITCHING. SHALL BE INCORPORATED AS SHOWN ON CONTRACT DRAWINGS. ROCK SHALL BE APPROVED AND HAVE NO DIMENSIONS LESS THAN 200mm. STONEPITCHING SHALL BE NO LESS THAN 200mm THICK AND LAID IN ACCORDANCE WITH THE TECHNICAL SPECIFICATION FOR ROADWORKS.
4. WIRE BASKET OR MATTRESS. SHALL BE INCORPORATED WHERE SPECIFIED ON CONTRACT DRAWINGS.
5. CONCRETE. SHALL BE CLASS N25 AND PLACED IN ACCORDANCE WITH SPECIFICATION. FOR ANY PATCHING OR JOINTING USE MORTAR MIXED WITH LOKCRETE OR SIMILAR.
6. PREFABRICATED TYPE END WALLS. WILL REQUIRE APPROVAL PRIOR TO USE.



AMENDMENTS				APPROVED BY DIRECTOR TECHNICAL SERVICES <i>Brendan Dowd</i> Date 22/9/23	STANDARD DRAWING		
No.	DESCRIPTION	DATE	INITIAL		CONCRETE ENDWALLS R.C.P. - TYPE 1 AND 2		
A	ORIGINAL ISSUE	09/03	S.W.S.	SHEET 16 OF 19	SHEET SIZE. A1	AMENDT. A	DRAWING No. DCC-115

