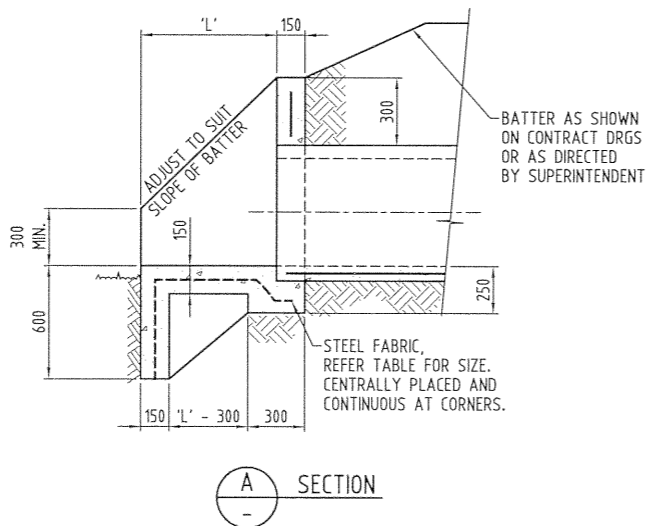
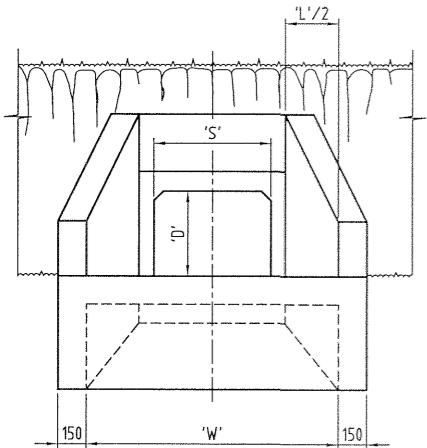
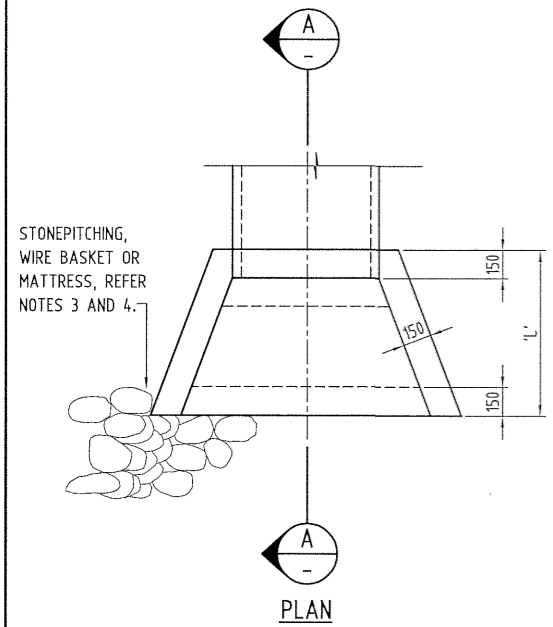


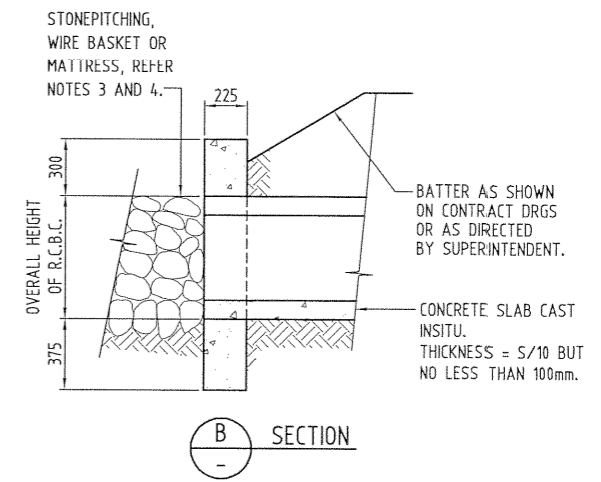
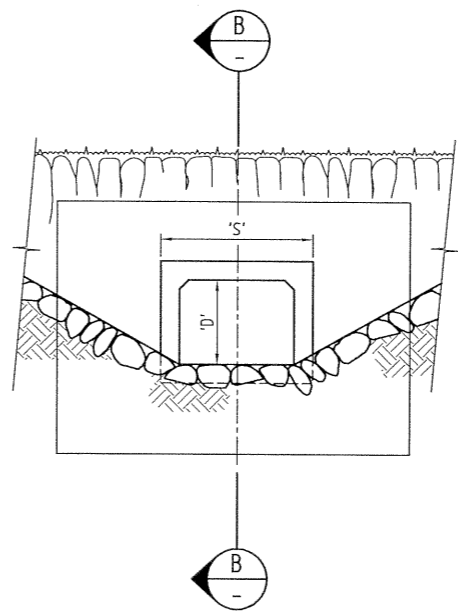
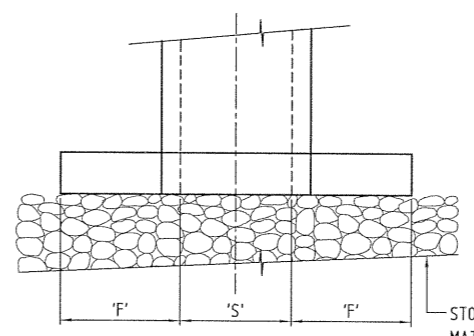
| ENDWALLS FOR BOX CULVERTS | | | | | |
|------------------------------|---------------------|--------------------|---------------------------|--------------------|-----------------|
| INTERNAL SPAN OF CULVERT 'S' | LENGTH OF APRON 'L' | WIDTH OF APRON 'W' | OFFSET TO END OF WALL 'F' | STEEL FABRIC | TYPE OF ENDWALL |
| 325 TO 600 | / | / | 0.6 (S+D) | F52 | 2 |
| 750 TO 1200 | 1.6D | L+S | / | F62 | 1 |
| 1500 1800 2100 | 1.6D | L+S | / | F72 F92 F102 | 1 |

NOTES

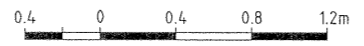
1. ENDWALL TYPE. REFER TO CONTRACT DRAWINGS FOR TYPE AND SIZE.
2. GENERAL. ALL STRUCTURES DETAILED ON THIS DRAWING TO CONFORM TO TECHNICAL SPECIFICATION FOR ROADWORKS.
3. STONEPITCHING. SHALL BE INCORPORATED AS SHOWN ON CONTRACT DRAWINGS. ROCK SHALL BE APPROVED AND HAVE NO DIMENSIONS LESS THAN 200mm. STONEPITCHING SHALL BE NO LESS THAN 200mm THICK AND LAID IN ACCORDANCE WITH THE TECHNICAL SPECIFICATION FOR ROADWORKS.
4. WIRE BASKET OR MATTRESS. SHALL BE INCORPORATED WHERE SPECIFIED ON CONTRACT DRAWINGS.
5. CONCRETE. SHALL BE CLASS N25 AND PLACED IN ACCORDANCE WITH SPECIFICATION. FOR ANY PATCHING OR JOINTING USE MORTAR MIXED WITH LOKCRETE OR SIMILAR.
6. PREFABRICATED TYPE END WALLS. WILL REQUIRE APPROVAL PRIOR TO USE.



TYPE 1



TYPE 2



| AMENDMENTS | | | | APPROVED BY DIRECTOR TECHNICAL SERVICES <i>Bdow</i> Brendan Dowd Date 22/01/03 | STANDARD DRAWING | |
|------------|----------------|-------|---------|--|-------------------|--|
| No. | DESCRIPTION | DATE | INITIAL | | CONCRETE ENDWALLS | |
| E | | | | R.C.B.C. - TYPE 1 AND 2 | | |
| D | | | | SHEET SIZE: A1 | AMENDT. A | |
| C | | | | DRAWING No. DCC-116 | | |
| B | | | | arwin City Council | | |
| A | ORIGINAL ISSUE | 09/03 | S.W.S. | SHEET 17 OF 19 | | |