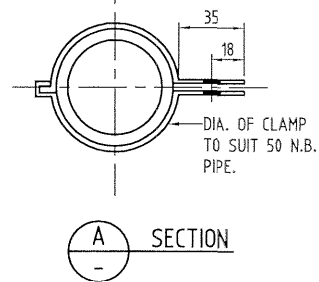
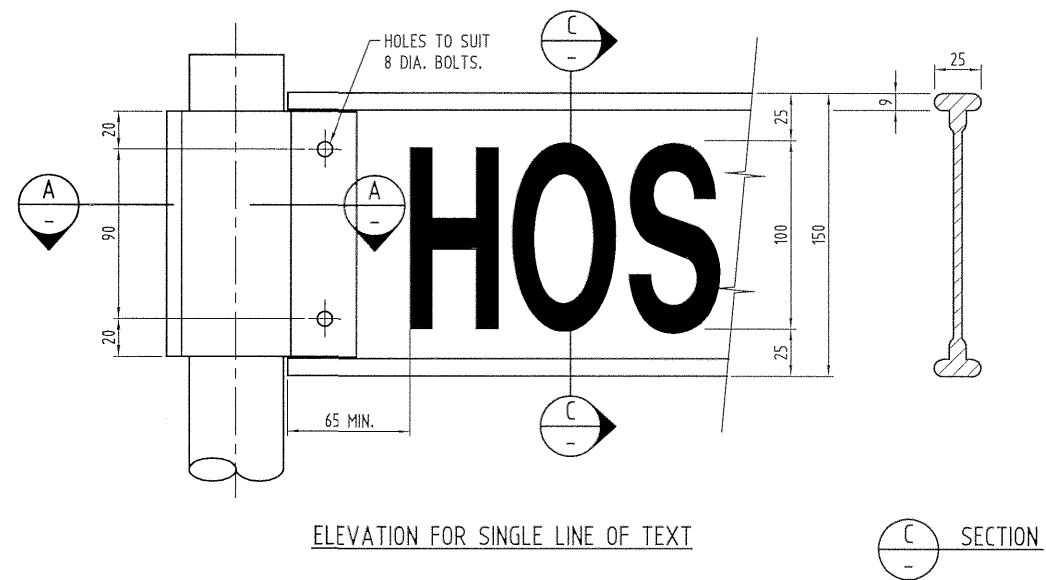


ELEVATION FOR DOUBLE LINE OF TEXT

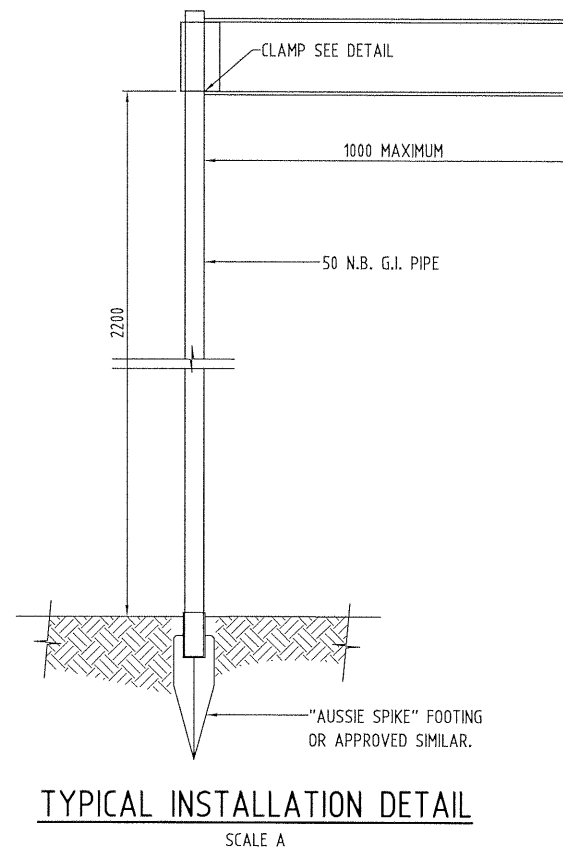
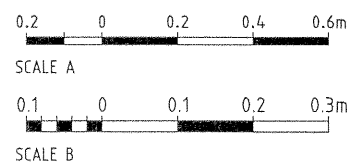


COLOUR OF SIGNS
STREET SIGNS:
 BLACK LETTERS ON REFLECTORISED WHITE BACKGROUND.
INFORMATION SIGNS:
 REFLECTORISED WHITE LETTERS ON BLUE BACKGROUND



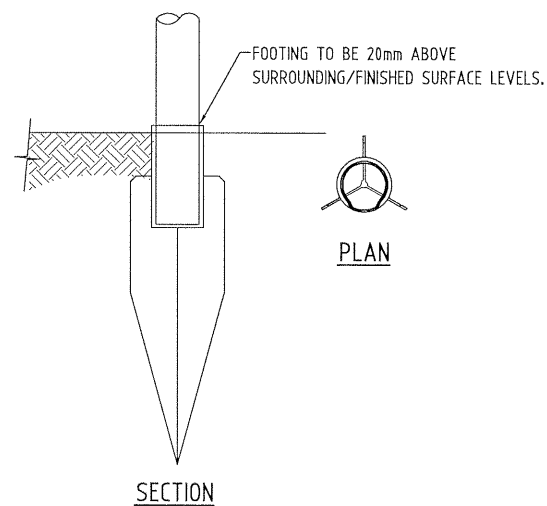
ELEVATION FOR SINGLE LINE OF TEXT

STANDARD STREET OR INFORMATION SIGN
 N.T.S.



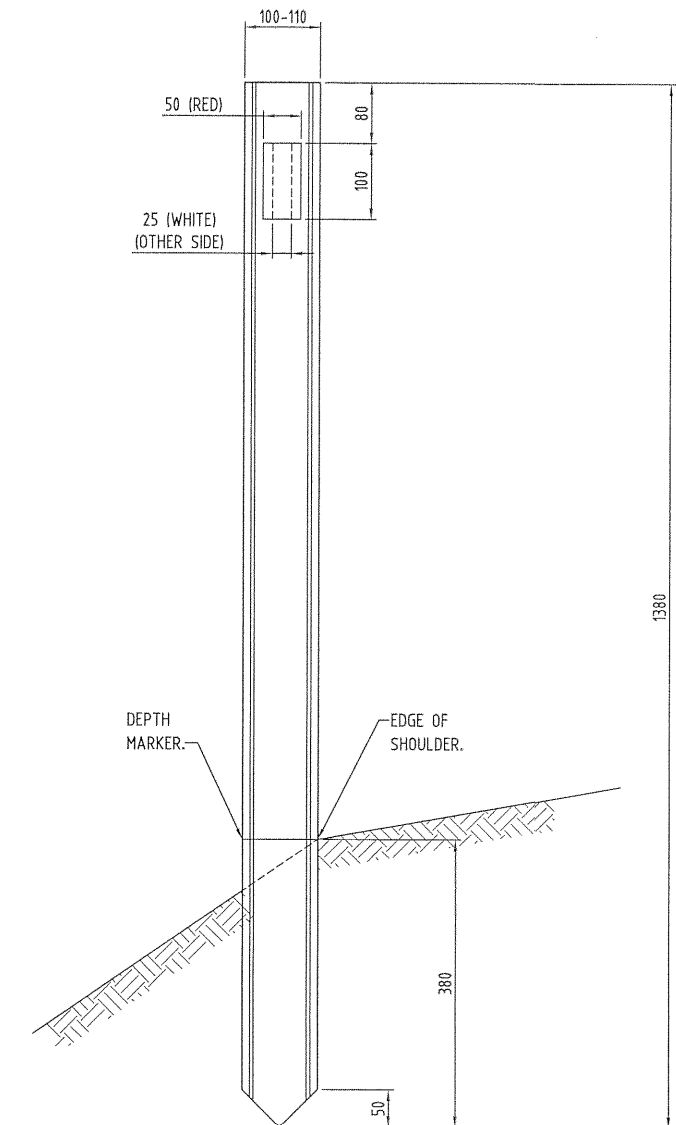
TYPICAL INSTALLATION DETAIL

SCALE A



INSTALLATION DETAIL FOR
 "WIZ SOCKETS" FOOTING OR APPROVED SIMILAR

SCALE A



FLEXIBLE GUIDEPOST DETAIL

SCALE B

NOTES

1. CONCRETE SHALL BE 25MPa/20AGG.
2. STREET Nos. ARE ONLY REQUIRED WHERE NOMINATED ON CONTRACT DRAWINGS OR WHEN CALLED FOR BY SUPERINTENDENT.
3. ALL SIGN POSTS SHALL BE REMOVABLE.
4. SIGN COLOURS, LETTER SIZE, LETTER TYPES TO CONFORM TO AS 1742.5. SPECIAL DECORATIVE, HERITAGE, OTHER SIGN STYLES SUBJECT TO APPROVAL.
5. AUSSIE SPLICE FOOTING IS STANDARD INSTALLATION. ALTERNATIVE INSTALLATIONS SUBJECT TO APPROVAL.
6. INSTALL GUIDE POSTS AS LOCATION AND SPACINGS AS SPECIFIED BY THE SUPERINTENDENT OR CONTRACT DRAWINGS. IF NOT SPECIFIED, LOCATION AND SPACINGS SHALL BE IN ACCORDANCE WITH AS 1742.2
7. WHERE PRACTICABLE GUIDE POSTS WILL BE PLACED AT A UNIFORM DISTANCE FROM THE PAVEMENT EDGE. GUIDE POSTS WILL BE LOCATED AT THE OUTSIDE EDGE OF SHOULDER UNLESS SHOWN OTHERWISE ON THE DRAWINGS.
8. ADDITIONAL GUIDE POSTS SHALL BE INSTALLED ON THE APPROACH SIDE OF CULVERTS.
9. FOR POST AND DELINEATOR DETAILS, REFER TO TECHNICAL SPECIFICATIONS.

AMENDMENTS				APPROVED BY DIRECTOR TECHNICAL SERVICES	STANDARD DRAWING	
No.	DESCRIPTION	DATE	INITIAL		STREET SIGNS AND GUIDE POST	
E				 Brendan Dowd Date 22/9/03	SHEET SIZE. A1	AMENDT. A
D						
C						
B						
A	ORIGINAL ISSUE	09/03	S.W.S.		SHEET 19 OF 19	DRAWING No. DCC-118

